

Fanless Embedded BOXPC

Embedded computer featured robust housing with Intel® fanless thermal technology for the space-limited space applications.

BOXPC 70



Ultra Compact & Robust Construction



Support VESA Mounting

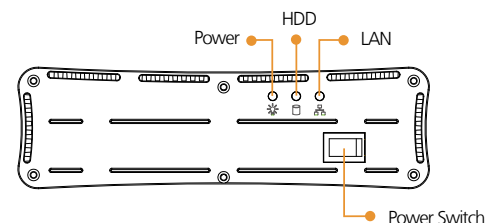
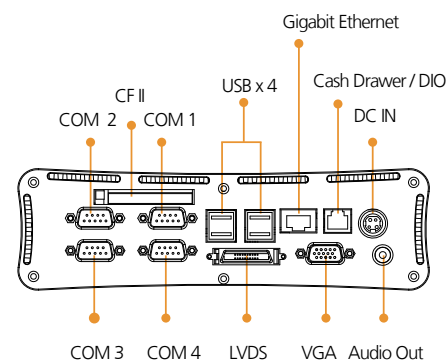
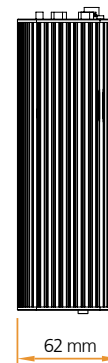
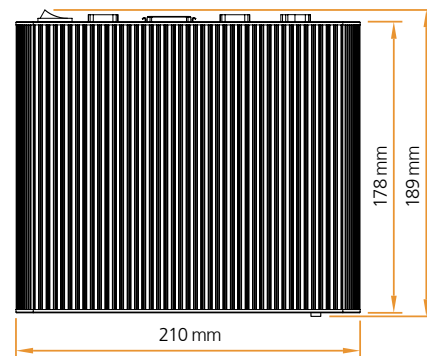


Support Independent Dual Display

Specifications

Model Name	BOXPC 70	
Main Board	CPU	Intel® Ultra Low Voltage Celeron® M 1GHz w/o L2 Cache
	Core Logic	Intel® 852GM + ICH4
	System Memory	SO-DIMM DDR 266, 128MB up to 1GB
	OS Support	Windows® XP / XPe, WEPOS, WinCE*, Linux*
Storage Device	HDD	1 x 2.5" HDD Drive Bay
	Compact Flash	1 x Slot Compact Flash Type II
I/O Ports	Serial	6 x RS-232 COM 1/2/3/4: DB-9, Pin9 w/ RV/5V/12V Selectable by BIOS COM 5: 15Pin Header or DB9 COM 6: Internal for Touch Panel
	USB	4 x USB 2.0
	LAN	1 x Gigabit Ethernet by RJ-45
	Cash Drawer	1 x RJ-11 (Power Pin 12V)
	Audio	AC' 97 2.0 Compliant, 2W Speaker x 2
	VGA	1 x DB-15
	SCSI	Combination interface of LVDS, RS-232, Power (3.3V, 5V, 12V) and LED
	Expansion	1 x Mini PCI, optional wireless LAN module
	Wall Mount	Support VESA Mount
	Power Input	External Adapter, 90W, 19VDC Input
Others	Color	Black
	Material	Plastics and Die-casting Aluminum
	Compliance	FCC / CE / WEEE / RoHS
	Weight (Kgs)	3.8 Kgs
	Dimension	210 W x 189 D x 62 H (mm)
	Operating Temperature	5°C ~ 35°C
	Storage Temperature	-20°C ~ 60°C
	Humidity	20% - 85% RH, non-condensing

* Please contact supplier for detail information.



Ordering information

Main Unit

Part No.	Description
BPC70-B-C1G	Fanless BOXPC 70 w/ Intel® ULV Celeron® 1GHz w/o L2 Cache CPU

Optional Accessories

Part No.	Description
20200020	HDD: 2.5", 80GB
20600001	Compact Flash: 128MB
20600002	Compact Flash: 256MB
20600018	Compact Flash: 512MB
20600005	Compact Flash: 1GB
20600023	Compact Flash: 2GB
20600024	Compact Flash: 4GB
20600033	Compact Flash: 8GB
20300005	Memory: DDR400, 128MB, 200Pin SO-DIMM, non-ECC
20300006	Memory: DDR400, 256MB, 200Pin SO-DIMM, non-ECC
20300007	Memory: DDR400, 512MB, 200Pin SO-DIMM, non-ECC
20300019	Memory: DDR400, 1GB, 200Pin SO-DIMM, non-ECC
20900001	OS License: Windows XP Professional, English Version
20900002	OS License: WEPOS, English Version

Specifications are subject to change without notice. Issue Date: 2009/05

EBN
EBN Technology Corp.

EBN Technology Corp.

10F, No. 90, Sec. 1, Sintai 5th Rd., Sijhih City,
Taipei County 221, Taiwan
TEL : +886-2-2696 9292
FAX : +886-2-2696 9393
E-mail : sales@ebn-pos.com
www.ebn-pos.com