

# SmartPos 50



■ MSR & Keypad



■ Optional iButton



■ Hidden Power Switch



■ Easily Install I/O  
Peripherals

# SmartPOS 50

## Specifications

### System

Model	SmartPOS507
OS/Application	Supports Win XP/XPe, Linux, WEPOS, WinCE

### Main Board

CPU	AMD Geode™ LX-800 (500MHz)
Core Logic	AMD Geode™ LX-800 + CS5536
System Memory	SO-DIMM DDR 400, 128MB up to 1GB

### Display

TFT LCD Size	7.0"
Brightness	220 nits
Resolution	800 x 480
Tilt Angle	0° to 180°

### Storage Device

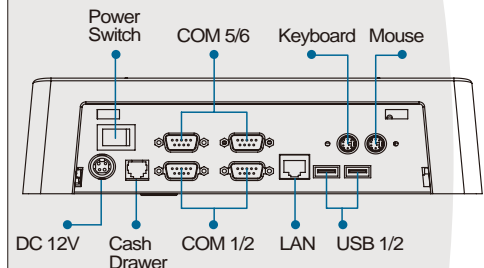
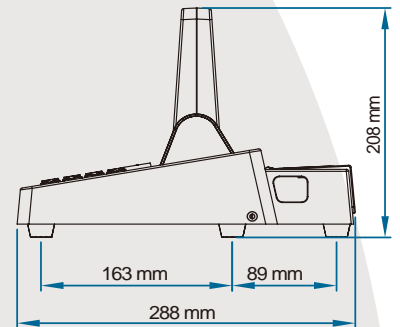
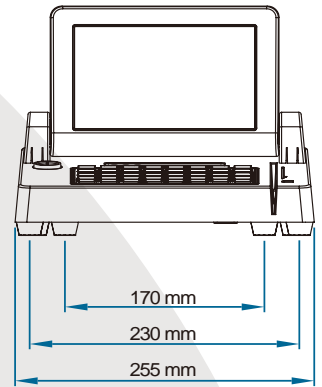
HDD	1 x IDE , 2.5" Slim Type
Compact Flash	1x Slot Compact Flash Type II

### I/O Ports

Serial	6 x RS-232 4 x COM, DB-9, Pin9 w/ RI/5V/12V Selectable by BIOS 2 x COM, Internal for iButton and Touch Panel
USB	2 x USB2.0
PS/2 Mouse	1 x 6-pin mini DIN
PS/2 Keyboard	1 x 6-pin mini DIN
LAN	1 x RJ-45, 10/100 Base-T, supports wake on LAN
Cash Drawer	1 x RJ-11 (Power Pin 12V)
Audio	1x Audio AC' 97 2.0 Compliant, 2W Speaker * 2

### Others

Programmable Keyboard	1 x 32 Key , PS/2 Type
MSR	1 x 3 Tracks, RS-232 Type
Power Input	External adapter, 80W , 12VDC input
Color	White
Compliance	FCC / CE
Weight (Kgs)	2.7
Dimension W x D x H (mm)	255 x 208 x 288
Operating Temperature	5°C ~ 40°C
Storage Temperature	-20°C ~ 60°C
Humidity	20% - 85% RH, non-condensing



## Ordering information

### Main Unit Ordering Information

Part No.	Description
SPOS50-7W-LX800	Fanless SmartPOS 507 w/ 7.0" TFT LCD, AMD LX800 CPU, 3 Track MSR RS-232 Type, 32 key Programmable Keyboard

### Optional Accessories Ordering Information

Part No.	Description
A0400784	Customer Display, VFD Pole Display, 5x7 dot matrix, RS-232 Type (White)
A0400613	iButton: Dallas key Reader, RS-232 Type
20200020	HDD: 2.5", 80GB, Ultra ATA/100, 5400RPM

Part No.	Description
20600001	Compact Flash: 128MB
20600002	Compact Flash: 256MB
20600018	Compact Flash: 512MB
20600005	Compact Flash: 1G
20600023	Compact Flash: 2G
20600024	Compact Flash: 4GB
20600033	Compact Flash: 8GB
20300005	DDR400, 128MB, 200Pin SO-DIMM, Non-ECC
20300006	DDR400, 256MB, 200Pin SO-DIMM, Non-ECC
20300017	DDR400, 512MB, 201Pin SO-DIMM, Non-ECC
20300009	DDR400, 1GB, 200Pin SO-DIMM, Non-ECC
20900001	OS: Win XP Professional (English Version)
20900002	OS: WEPOS (English Version)

Specifications are subject to change without notice. Issue Date: 2009/01

# EBN

EBN Technology Corp.

**EBN Technology Corp.**

10F, No. 90, Sec. 1, Sintai 5th Rd., Sijhih City, Taipei County 221, Taiwan  
TEL: 886-2-2696 9292 FAX: 886-2-2696 9393

E-mail: sales@ebn.com.tw <http://www.ebn-pos.com>