

The High Performance Touch POS Terminal

Support second display high performance touch POS terminal with
small footprint empower high technique operation application

X-POS 950



Support 8.4" / 10.4"
Pole Second Display
and Attached VFD/ LCM
Customer Display



Support 12" / 15"
Second Display



Support Intel® Sandy Bridge
Quad / Dual Core CPU



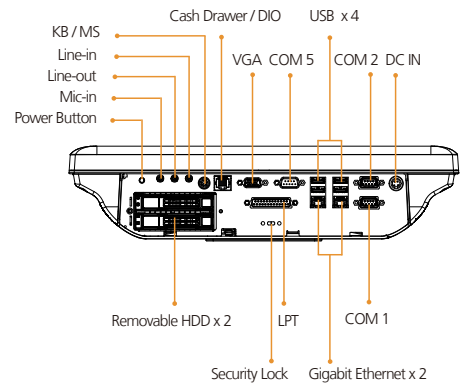
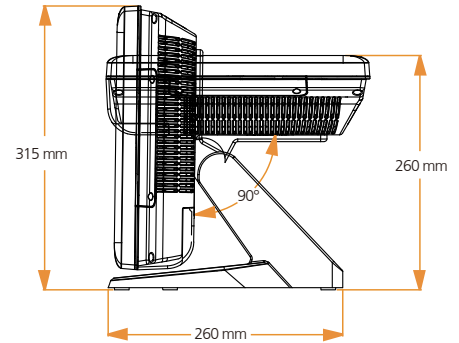
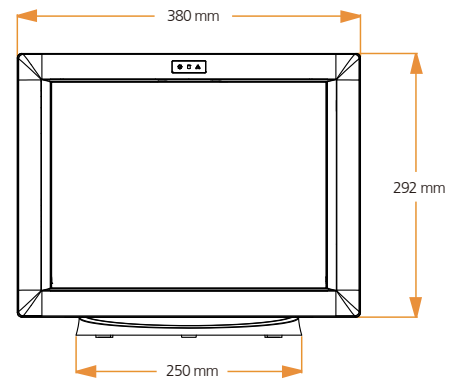
Support Dual LAN ,
2 Removable Hard Disk Drive Bay
and Hard Disk RAID Function



Be nice for our earth. It was printed with soy ink

Specifications

Model Name	X-POS 950	
Main Board	CPU	2nd Generation Intel® Core Processor (Sandy Bridge LGA1155) Core i7 - 2600 3.4 GHz / 4 core / 95 watt Core i5 - 2400 3.1 GHz / 4 core / 95 watt Core i3 - 2120 3.3 GHz / 2 core / 65 watt Intel® Pentium® G850 2.9GHz / 2 core / 65 watt Intel® Celeron® G540 2.5GHz / 2 core / 65 watt
	Core Logic	Intel® Q67
	System Memory	DIMMx2, DDR3 1333 max. up to 8GB per channel
	OS Support	Windows® XP / WES, POSReady 2009, Windows 7
Display	TFT LCD Size	15"
	Brightness	250 nits, brightness adjustment by BIOS
	Resolution	1024 x 768
	Touch Screen	5 wire resistive type
	Tilt Angle	0°~90°
Storage Device	HDD	2 x 2.5" Removable HDD Drive Bay, RAID function
	CFast	1 x slot CFast
I/O Ports	Serial	5 x RS-232 COM 1 : RS-232/422/485, DB-9, Pin9 w/ RI/5V/12V Selectable by BIOS COM 2 / 5 : DB-9, Pin9 w/ RI/5V/12V Selectable by BIOS COM 3 : RS232, internal pin header for MSR COM 6 : RS232, internal pin header for Customer Display
	Parallel	1 x DB25
	USB	6 x USB 2.0
	PS/2 Keyboard / Mouse	1 x Mini-DIN
	LAN	2 x Gigabit Ethernet by RJ-45, Support Wake on LAN
	Cash Drawer	1 x RJ11 (24VDC)
	Audio	MIC-in, Line-in, Line out
	VGA	1 x DB15
	Wall mount	Support VESA Mount
	Power Input	External adapter, 180Watt, 19VDC input
Others	Color	Black
	Material	Plastic / Aluminum
	EMC& Safety Compliance	FCC / CE / WEEE / RoHS / VCCI
	Front Panel Protection	IP 65 compliance
	Weight	7.95 Kgs
	Dimension	380W x 260D x 315H (mm)
	Operating Temperature	0°C ~ 40°C
	Storage Temperature	-20°C ~ 60°C
	Humidity	20% - 90% RH, non-condensing



Ordering information

Main Unit

Part No.	Description
XPOS90-5B-i7	Touch POS Terminal w/ 15" TFT LCD, Intel® Sandy Bridge LGA1155, Core i7 - 2600 3.4 GHz / 4 core / 95 watt
XPOS90-5B-i5	Touch POS Terminal w/ 15" TFT LCD, Intel® Sandy Bridge LGA1155, Core i5 - 2400 3.1 GHz / 4 core / 95 watt
XPOS90-5B-i3	Touch POS Terminal w/ 15" TFT LCD, Intel® Sandy Bridge LGA1155, Core i3 - 2120 3.3 GHz / 2 core / 65 watt
XPOS90-5B-P	Touch POS Terminal w/ 15" TFT LCD, Intel® Pentium® G850 2.9GHz / 2 core / 65 watt
XPOS90-5B-C	Touch POS Terminal w/ 15" TFT LCD, Intel® Celeron® G540 2.5GHz / 2 core / 65 watt

Part No. Description

20600039	CFast Card : 2GB
20600040	CFast Card : 4GB
20600041	CFast Card : 8GB
20600042	CFast Card : 16GB
20900001	OS License: Windows XP Professional for Embedded Systems, English Version
20900023	OS License: Windows Embedded Standard, English Version
20900021	OS License: Windows Embedded POSReady 2009, English Version
20900025	OS License: Windows 7 Professional for Embedded Systems, English Version
20300030	Memory: DDR3, 1GB, 240PIN
20300031	Memory: DDR3, 2GB, 240PIN
20300032	Memory: DDR3, 4GB, 240PIN
20300033	Memory: DDR3, 8GB, 240PIN
A0400807	Wireless LAN: IEEE 802.11 B/G, USB Type
20200028	2.5" Slim Type HD: 160GB SATA Type

Specifications are subject to change without notice. Issue Date: 2011 / 10

Optional Accessories

Part No.	Description
61200002	Second Display, 8.4" TFT LCD monitor, USB Type
Z1300101	Second Display, 8.4" TFT LCD monitor, VGA Type
61200004	Second Display, 10.4" TFT LCD monitor, USB Type
Z1300102	Second Display, 10.4" TFT LCD monitor, VGA Type
T6012000	Second Display, 12.1" TFT LCD monitor, VGA Type
T5004000	Second Display, 15" TFT LCD monitor, VGA Type
LCM202J-B-AT	Customer display: LCM Attached, 20 columns x 2 lines, RS-232 Type
VFD202E-B-AT	Customer display: VFD Attached, 20 columns x 2 lines, RS-232 Type
VFD202N-B-AT	Customer display: VFD Attached, 20 columns x 2 lines, RS-232 Type, Support 2 Bytes character
LCM202J-B-PL	Customer display: LCM pole, 20 columns x 2 lines, RS-232 Type
VFD202E-B-PL	Customer display: VFD pole, 20 columns x 2 lines, RS-232 Type
VFD202N-B-PL	Customer display: VFD pole, 20 columns x 2 lines, RS-232 Type, Support 2 Bytes character
Z0500002	MSR-Front Type, 3 Tracks, PS/2 Type
Z0500004	MSR-Side Type, 3 Tracks, PS/2 Type & Finger Print, USB Type
Z0500005	MSR-Side Type, 3 Tracks, PS/2 Type & i-Button, PS/2 Type
Z0500006	MSR-Side Type, 3 Tracks, PS/2 Type & RFID, USB Type

EBN

EBN Technology Corp.

EBN Technology Corp.

10F, No.90, Sec.1, Xintai 5th Rd., Xizhi Dist.,
New Taipei City 221, Taiwan (R.O.C.)

TEL : +886-2-2696 9292

FAX : +886-2-2696 9393

E-mail : sales@ebn-pos.com

www.ebn-pos.com