

Stylish Dynamic Touch POS Terminal

High performance touch POS terminal with small footprint empower high technique operation application

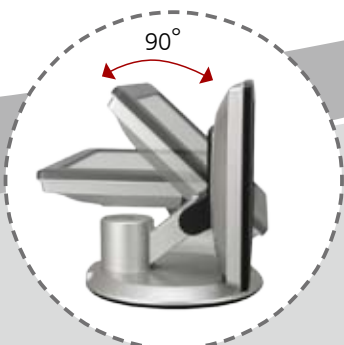
X-POS 750



Support attached customer display



Rich I/O connections for various peripherals



Wide tilt angle 0°~90°

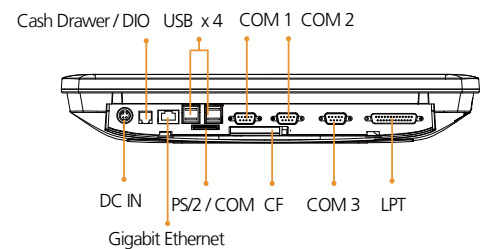
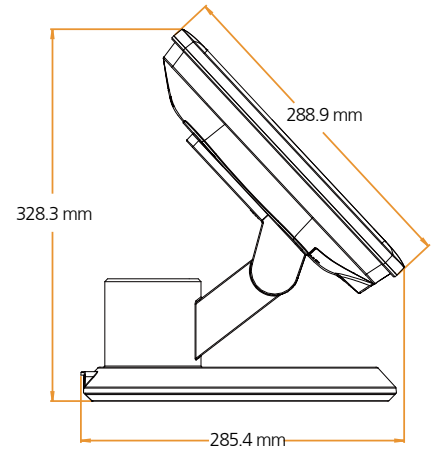
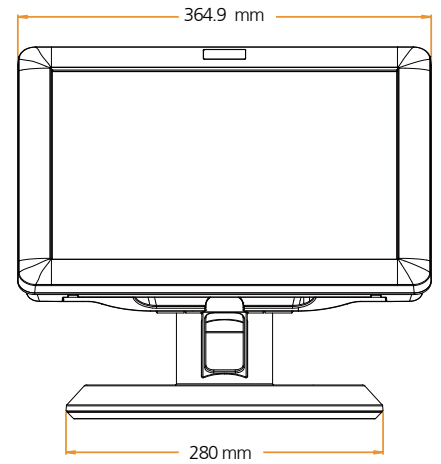


Colorful front panel frame changeable

Specifications

Model Name	X-POS 750	
Main Board	CPU	Intel® Celeron® M 1.5GHz w/1MB L2 cache
	Core Logic	Intel® 852GM + ICH4
	System Memory	SO-DIMM DDR, 128MB up to 1GB
	OS Support	Windows® XP / XPe, WEPOS, WinCE*, Linux*
Display	TFT LCD Size	15"
	Brightness	250 nits
	Resolution	1024 x 768
	Touch Screen	5-wire Resistive Type
Storage Device	HDD	1 x 2.5" HDD Drive Bay
	Compact Flash	1 x Slot Compact Flash Type II
I/O Ports	Serial	6 x RS-232 COM 1/2/3 : DB-9, RS-232, Pin9 w/ RI/5V/12V Selectable by BIOS COM 4 : Internal Pin header COM 5 : 15-Pin Header COM 6 : Internal for Touch Panel
	PS/2	15-Pin Header
	USB	4 x USB2.0
	LAN	1 x Gigabit Ethernet by RJ-45
	Cash Drawer	1 x RJ-11 (Power Pin 12V)
	Audio	Audio AC' 97 2.0 Compliant, 2W Speaker x 2
	Printer Port	1x LPT
	Expansion	1 x Mini-PCI (internal), optional wireless LAN module
	Wall mount	Support VESA Mount
	Power Input	External adapter, 135W, 19V DC input
Others	UPS Power Backup(Optional)	Support Smart Battery 4P1S back up function
	Color	Black / Silver
	Material	Plastic / Aluminum
	EMC& Safety Compliance	FCC / CE / WEEE / RoHS
	Weight	7.8 Kgs
	Dimension	364.9 W x328.3 Hx285.4 D(mm)
	Operating Temperature	5°C ~ 35°C
	Storage Temperature	-20°C ~ 60°C
	Humidity	20% - 85% RH, non-condensing

* Please contact supplier for detail information.



Ordering information

Main Unit

Part No.	Description
XPOS70-5B-C15G	Fanless Touch POS Terminal, X-POS 750 w/ 15" TFT LCD, Intel® Celeron® M 1.5GHz w/ 1MB L2 cache CPU

Optional Accessories

Part No.	Description
Z1300059	LCM Attached Display
Z0500002	MSR-Front Type, 3 Tracks PS/2 Type
Z0500003	MSR-Side Type, 3 Tracks PS/2 Type
Z0500004	MSR-Side Type & Finger Print
Z0500005	MSR-Side Type & i-Button, PS/2 Type
Z0500006	MSR-Side Type & RFID
A0400266	Wireless LAN: IEEE 802.11 B/G, Mini-PCI, WIFI module internal antenna
21300004	Battery, 15V/2400mA, 4P1S
20600018	Compact Flash: 512MB
20600005	Compact Flash: 1GB
20600023	Compact Flash: 2GB
20600024	Compact Flash: 4GB
20600033	Compact Flash: 8GB
20900001	OS License: Windows XP Professional, English Version
20900002	OS License: WEPOS, English Version
20300007	Memory: DDR400, 512MB, SO-DIMM
20300019	Memory: DDR400, 1GB, SO-DIMM
20200020	HD: 2.5", 80GB

Specifications are subject to change without notice. Issue Date: 2009/10

EBN
EBN Technology Corp.

EBN T
10F, No. 9
Taipei Cou